

Wood Carving Tools

HIGH EFFICIENCY

HAND CRAFT

Blade's high-speed reciprocation enables fast, beautiful and elegant carving, for very hard wood as well.



1. **High efficiency** : You can carve wood with one third of force needed for manual carving and at 3-5 times faster, so that you won't get tired in carving
2. **Sharp carving** : You can carve the hardest wood easily and smoothly, because the cutter reciprocates at high speed (12,000s.p.m).
3. **Safe and easy to handle** : The machine uses free-floating mechanism, so that its cutter reciprocates only when pressed onto wood. Therefore, you can handle the machine easily and safely. Furthermore, it is light (approx.800g or 2 lbs) and easy to grab.
4. **Rotary carver** : Only by attaching the rotary head, Hand Craft becomes a rotary carver. The head is easy to change. (Applicable to the model HCT-30S)

AUTOMACH



TOKYO AUTOMACH CO., LTD.

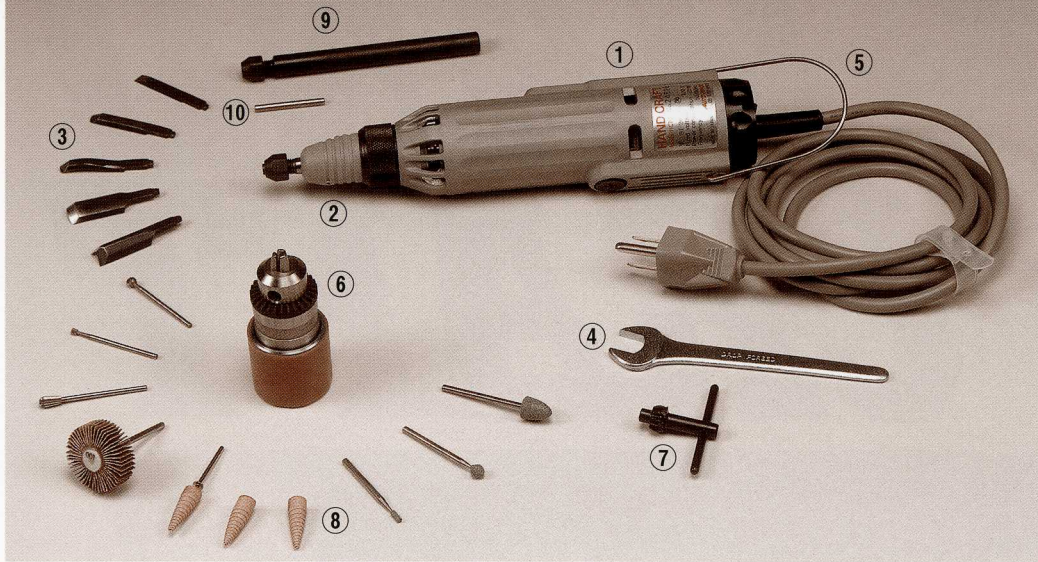
2-7-10.Hatanodai Shinagawa-ku, Tokyo 142-0064 JAPAN

Phone:+81-3-5702-0522 Fax:+81-3-5702-0552

<http://www.automach.com>

E-mail: a@automach.com

(Handy Electric Wood Carving Tool)



HAND CRAFT



Specifications

Body	Speed - 12,000s.p.m 12,000r.p.m.
	Size - 228mm length × 44mm dia.
	Weight - Approx. 800g. (2 lbs.)
Motor	Rated voltage - AC 100V/120V/220V/240V <i>Information on your local power voltage</i>
	Rated power consumption - 40W (MAX.80W)
	Frequency - 50/60Hz
	Operable hour - Continuous.

Design and specifications are subject to change without notice.

※Please let us know your local power voltage.

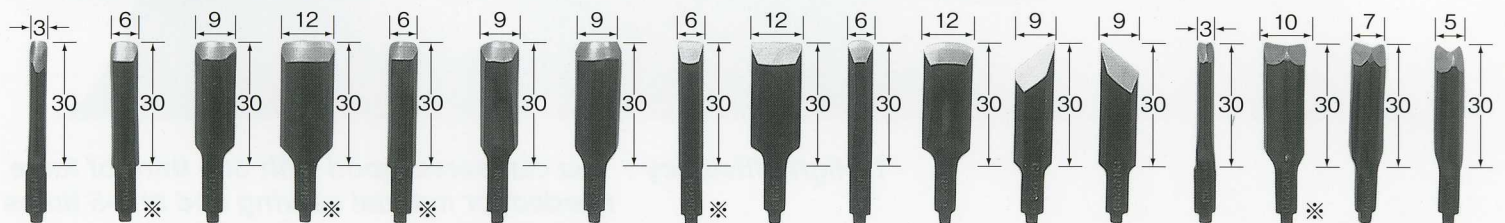
Item No.	Name of parts	Quantity	
		Model	HCT
①	Body	30A	30S
		1	1
②	Reciprocation head	1	1
③	Accessory blades marked with※	5	5
④	Wrench (12mm)	1	1
⑤	Hanger	1	1
⑥	Rotary head (chuck φ1~6mm)		1
⑦	Chuck key		1
⑧	Rotary cutters and abrasives		10
⑨	Cutter holder		1
⑩	Stop bars		1

MADE IN JAPAN

Cutter Selection 38types

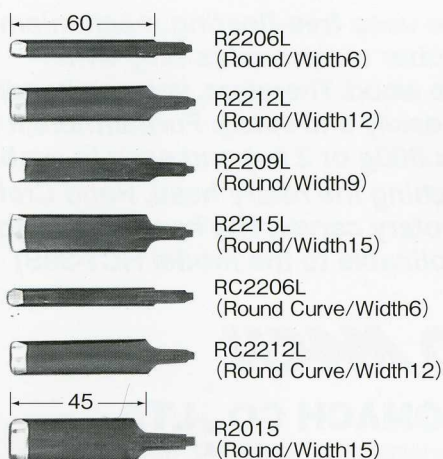
Accessory blades coming with HCT-30 A or S (5 pieces marked with※)

Standard type 17types

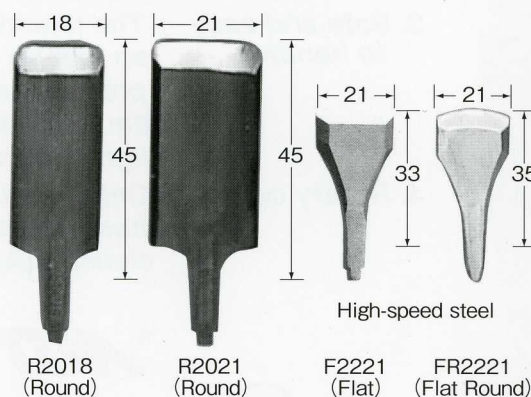


R2203 (Round) R2206 (Round) R2209 (Round) R2212 (Round) RC2206 (Round Curve) RC2209 (Round Curve) RD2209 (Deep R.) F2206 (Flat) F2212 (Flat) FR2206 (Flat Round) FR2212 (Flat Round) CL2209 (Left) CR2209 (Right) TN2203 (90° Vee) TN2210 (90° Vee) TS2207 (60° Vee) TV2205 (45° Vee)

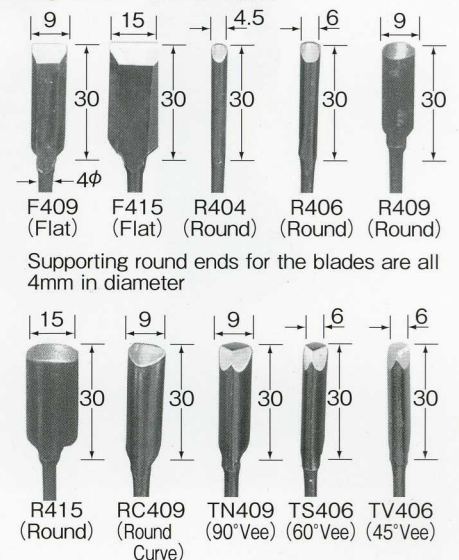
Longer Type 7types



Wider type 4types



Special 10 blades



Various shapes of cutting blades are available.

Each cutter is made of high quality alloy tool steel and specially hardened, 1" = 25.4mm

